



LIGHT GUIDE

The evolution of exterior lighting you've been waiting for



Discover more

INNOVATE | INTEGRATE | ILLUMINATE





Discover more.

Evolution not Revolution with TRT Light Guide.

Designed to help urban space designers and public lighting teams create environments that deliver a better 'user' experience, Light Guide technology takes away the discomfort glare and alters the perception of the environment a person is in.

Light Guide replaces the conventional light engine with a new low glare, comfortable light source that has been specifically designed to enhance user experience of the lit application and provide an effective alternative to indirect lighting.

[Discover more in each of our sections](#)

[Why Light Guide?](#)

[What is Light Guide?](#)

[Product Features](#)

[Technical Specifications](#)

[Ordering](#)





Why Light Guide?

Light Guide technology provides the **perfect lighting solution** for areas such as **promenades, market squares, college campuses and town plazas.**

As the government strives to keep walking and cycling at the rates it has been in recent years, people need to feel comfortable and safe. Lighting is a big part of the solution however it can often create discomfort when the source luminance is bright.

Lighting options for areas where people walk, convene, and socialise are traditionally lit in a direct style with contemporary amenity luminaires that utilise diffusers, or indirect lighting, to reduce discomfort glare. Light Guide technology provides a solution that is an efficient alternative with a homogeneously lit, relatively low luminance light source that is more visually comfortable than alternative technologies and solutions. No point source or intense light sources are visible when the Light Guide is illuminated.

Chalis



Circa Curved Glass



Circa Flat Glass



Why Light Guide?

What is Light Guide?

Product Features

Technical Specifications

Ordering





What is Light Guide?

Why Light Guide?

What is Light Guide?

Product Features

Technical Specifications

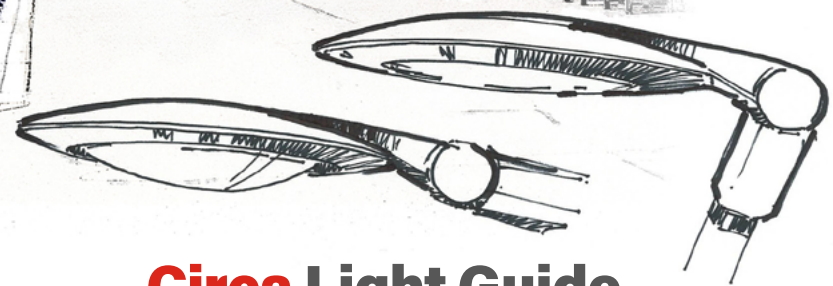
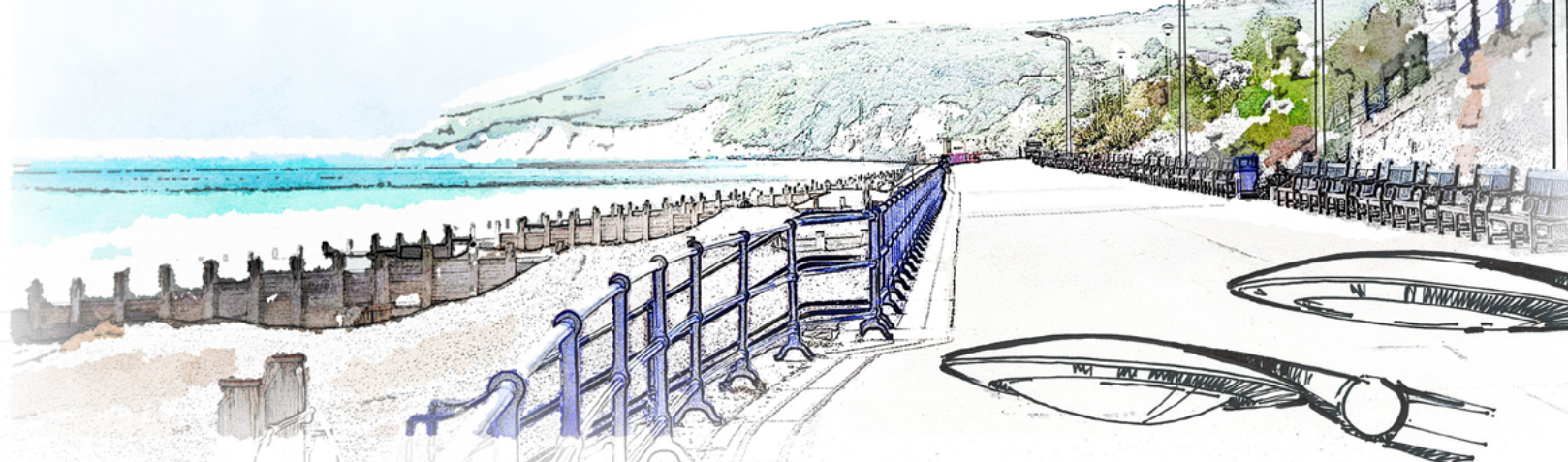
Ordering

FULL CUT OFF G6 FOR DARK SKIES - (FLAT GLASS OPTION) ✓

SIMPLY STYLED CONTEMPORARY FITTINGS ✓

WARM WHITE 3000K ✓

COMFORTABLE LOW GLARE AMBIENCE ✓



Circa Light Guide



What is Light Guide?

Why Light Guide?

What is Light Guide?

Product Features

Technical Specifications

Ordering

EXCELLENT UNIFORMITY ✓

LOW GLARE ✓

WARM WHITE 3000K ✓

VISUAL COMFORT / WELCOMING AMBIENCE ✓



Chalis Light Guide



Product Features.

Light Guide technology has a relatively large light emitting, homogenously illuminated surface area when powered - providing high levels of visual comfort for the user of the lit environment.

Why Light Guide?

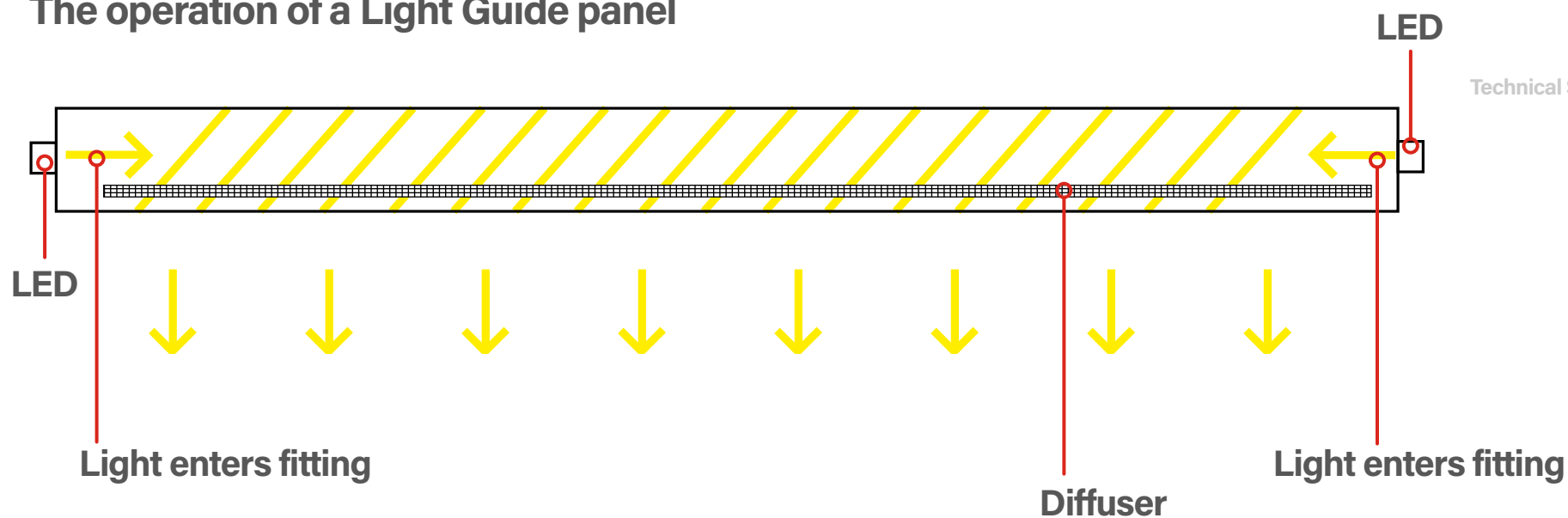
What is Light Guide?

Product Features

Technical Specifications

Ordering

The operation of a Light Guide panel





Product Features.

Light Guide provides similar benefits to those of diffusers and indirect optics with improved efficiency and control. Paired with a sympathetic colour temperature of 3000K, the Circa and Chalis Light Guide luminaire ranges are the perfect solution to high pedestrian traffic areas.

As TRT's Light Guide lanterns utilise the latest LED technology, the electronic control gear used to power them is the same as that used in standard LED luminaires. This means that the full range of LED luminaire features available across TRT products such as programmed dimming and connection to Central Management Systems (CMS) remains available.

Both the Chalis and Circa Light Guide luminaire ranges can accommodate a range of externally mounted NEMA and Zhaga book 18 sockets to allow full CMS or individual NEMA photocell operation.

Chalis Light Guide



Chalis Light Guide

Why Light Guide?

What is Light Guide?

Product Features

Technical Specifications

Ordering





Technical Specifications.

Circa Light Guide

Electrical Characteristics

Type	Circa ASY LGP Flat Glass	Circa SYM LGP Flat Glass	Circa ASY Curved Glass	Circa SYM Curved Glass
System Power	25-47W			
LED CCT	3000K			
LED CRI	>70			
Lumen Output	Up to 5,757lm	Up to 5,643lm	Up to 5,772lm	Up to 5,607lm
Lumen Maintenance	Projected L80 after 100,000 hours			
Drive Current	504-960mA			
Driver Output	Constant current output with AM dimming			
Power Factor (Full Load/Half Load)	0.95/0.90			
Operational Voltage	220-240VAC rms			
Operating Frequency	50/60Hz			
Inrush Current (Apk/50%-µS)	54A/190µS			
Running Current (max)	0.200A max			
Surge Protection (COM/DIF)	10kV/6kV			
Additional Surge Protection (on request)	10kV/10kA			
Lighting Controls Options	NEMA 7, Zhaga book 18 (SR) socket, PND and CMS compatible			
Dimming Protocols	DALI			

Why Light Guide?

What is Light Guide?

Product Features

Technical Specifications

Ordering





Technical Specifications.

Circa Light Guide

Mechanical Characteristics

Type	Circa
Housing Material	High quality high pressure die cast LM6 aluminium components
Housing Finish	Chromate free pre-treatment, polyester powder coat, light grey (RAL9006), dark grey (RAL7022), black (RAL9005)
Cover Material	Toughened safety glass
Lens Material	PMMA
Ingress Protection Rating	IP66
Weight	9.5kg
Wind Area	0.08m ²
Impact Resistance Rating	IK08 cover/IK10 top
Mounting Methods	Post top 60mm or 76mm/side entry 34mm, 42mm, 60mm or 76mm
Mounting Inclination	Rotational freedom in 5° steps

Why Light Guide?

What is Light Guide?

Product Features

Technical Specifications

Ordering





Technical Specifications.

Chalis Light Guide

Electrical Characteristics

Type	Chalis SYM LGP	Chalis ASY LGP
System Power	25-47W	
LED CCT	3000K	
LED CRI	>70	
Lumen Output	Up to 4,749lm	Up to 4,808lm
Lumen Maintenance	Projected L80 after 100,000 hours	
Drive Current	504-960mA	
Driver Output	Constant current output with AM dimming	
Power Factor (Full Load/Half Load)	0.95/0.90	
Operational Voltage	220-240VAC rms	
Operating Frequency	50/60Hz	
Inrush Current (Apk/50%-µS)	54A/190µS	
Running Current (max)	0.200A max	
Surge Protection (COM/DIF)	10kV/6kV	
Additional Surge Protection (on request)	10kV/10kA	
Lighting Controls Options	NEMA 3, 7, Miniature photocell, Zhaga book 18 (SR) socket, PND and CMS compatible	
Dimming Protocols	DALI	

Why Light Guide?

What is Light Guide?

Product Features

Technical Specifications

Ordering





Technical Specifications.

Chalis Light Guide

Mechanical Characteristics

Type	Chalis
Housing Material	High quality high pressure die cast LM6 aluminium components
Housing Finish	Chromate free pre-treatment, polyester powder coat light grey (RAL9006), dark grey (RAL7022), black (RAL9005)
Bowl Material	UV stabilised polycarbonate
Lens Material	PMMA
Ingress Protection Rating	IP66
Weight	8kg
Wind Area	0.14m ²
Impact Resistance Rating	IK10 bowl/IK08 top
Mounting Methods	Post top 76mm

Why Light Guide?

What is Light Guide?

Product Features

Technical Specifications

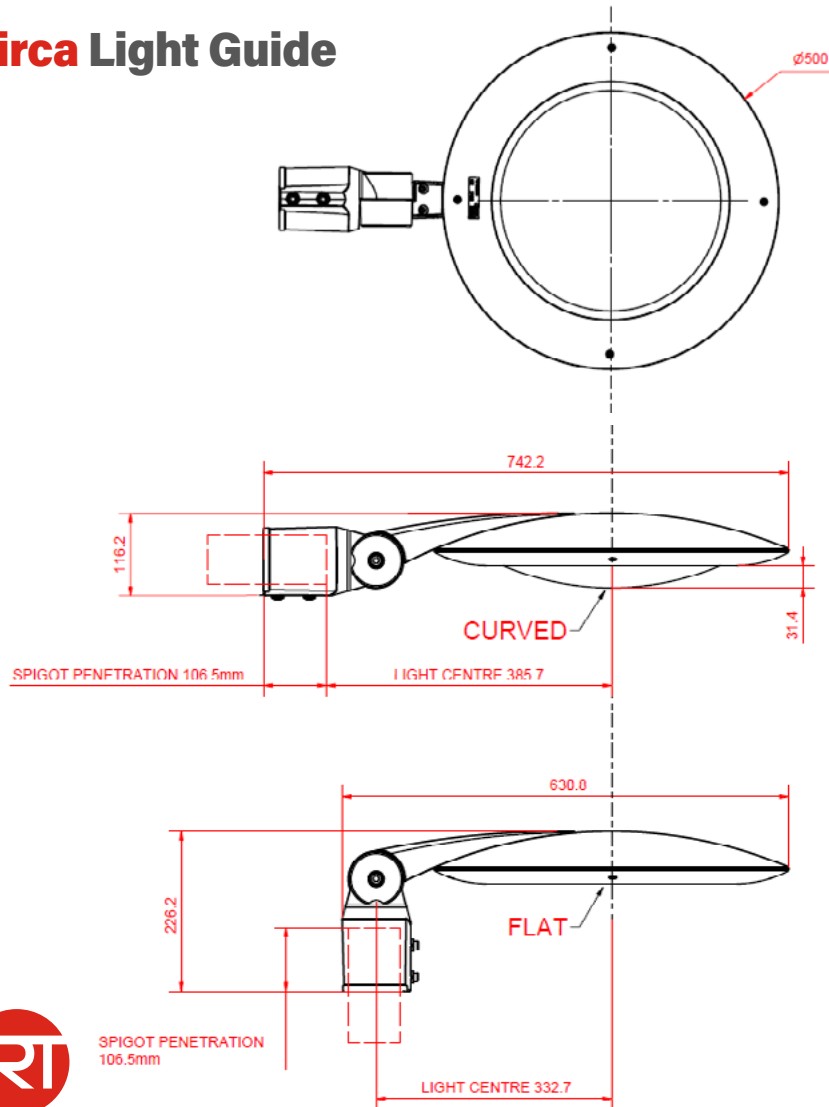
Ordering



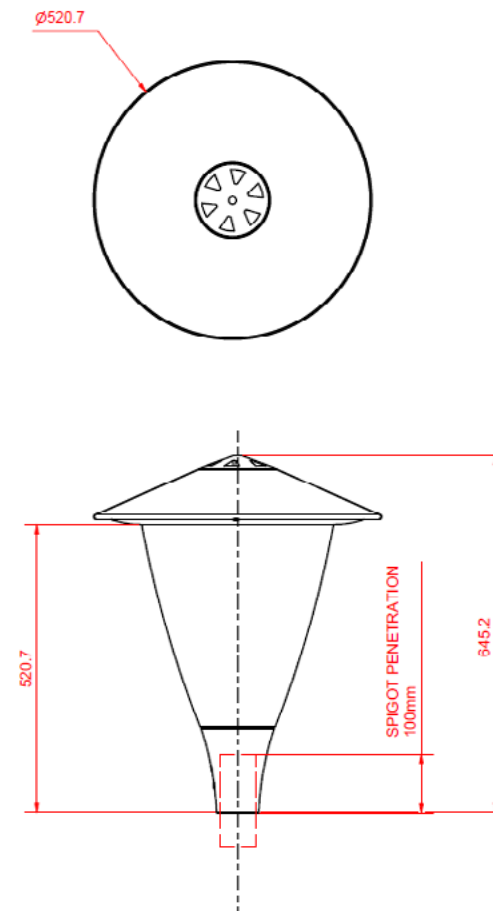
Technical Specifications.

Dimensions

Circa Light Guide



Chalis Light Guide



Why Light Guide?

What is Light Guide?

Product Features

Technical Specifications

Ordering



SPIGOT PENETRATION
106.5mm

LIGHT CENTRE 332.7

SPIGOT PENETRATION
100mm



Ordering Circa Light Guide.

Why Light Guide?

What is Light Guide?

Product Features

Technical Specifications

Ordering

Step 1: Select Product Variant	Step2: Select Power Level	Step 3: Select Distribution	Step 4: Select LED CCT	Step 5: Select Paint Colour	Step6: Select Cover Type	Step 7: Select Mounting	Step 8: Select Accessories	
CIL (Standard Circa Light Guide)	25 30 35 39	ASY = Asymmetric	3K = 3000K	LG = Light grey	FG = Flat glass	76UK = 76mm UK pivot with stainless steel inserts	NEM7 = 7 pin NEMA socket	
CILP (Circa Light Guide with PowerSet)	42 45 47							
CILC (Circa Light Guide with Constant Light Output (CLO))	24 29 33 37							SYM = Symmetric
CILPC (Circa Light Guide with PowerSet & Constant Light Output (CLO))	40 43 45							

Example

Product	Power (W)	Distribution	LED CCT	Paint Colour	Cover Type	Pivot	Accessories
CIL	25	ASY	3K	LG	FG	76UK	8MARC1.5





Ordering **Chalis** Light Guide.

Why Light Guide?

What is Light Guide?

Product Features

Technical Specifications

Ordering

Step 1: Select Product Variant	Step 2: Select Power Level	Step 3: Select Distribution	Step 4: Select LED CCT	Step 5: Select Paint Colour	Step 6: Select Cover Type	Step 7: Select Mounting	Step 8: Select Accessories
CHL (Standard Chalis Light Guide)	25 30 35 39	ASY = Asymmetric SYM = Symmetric	3K = 3000K	LG = Light grey DG = Dark grey B = Black	PB = Polycarbonate bowl	76UK = 76mm UK pivot with stainless steel inserts	MC10 = 35/18 Minicell NEM3 = 3 in NEMA socket NEM7 = 7 pin NEMA socket NEM3C = 3 pin NEMA socket with 35/18 NEMA photocell NEM7C = 7 pin NEMA socket with 35/18 NEMA photocell XMARC1.5 = Xm of Arctic 1.5mm ² cable ZB18 = Zhaga book 18 socket
CHLP (Chalis Light Guide with PowerSet)	42 45 47						
CHLC (Chalis Light Guide with Constant Light Output (CLO))	24 29 33 37						
CHLPC (Chalis Light Guide with PowerSet & Constant Light Output (CLO))	40 43 45						

Example

Product	Power (W)	Distribution	LED CCT	Paint Colour	Cover Type	Pivot	Accessories
CHL	24	ASY	3K	LG	PB	76UK	MC10, 8MARC1.5





PowerSet.

Circa and Chalis PowerSet Settings

Standard	CLO
25W	24W
30W	29W
35W	33W
39W	37W
42W	40W
45W	43W
47W	45W

Why Light Guide?

What is Light Guide?

Product Features

Technical Specifications

Ordering



Working with TRT

TRT Lighting evolved from Thorlux Lighting in 2012 as a specialist division of the FW Thorpe Group with a core focus on developing innovative lighting products for streets, roads and tunnels using only LED technology.

Culture of transparency – we provide clear, honest information designed to be useful so clients have a clear understanding of what can be expected from the product and the company.

Sustainability – we are a CO₂ neutral supplier with strong roots in British manufacturing dating back to 1936.

Locally supported – we manufacture our luminaires in Redditch, Worcestershire and are proud members of the official Made in Britain campaign and their Green Growth programme.

For more information

 +44 (0) 1527 521 162

www.trtlighting.co.uk